

FAST-FOLD® FREEZER

HIGH PERFORMANCE FOLDING DOOR

The First High-Speed Freezer Door and Still a Workhorse.

The Fast-Fold Freezer door gave birth to the idea of high-speed doors in cold storage environments. It was the first high performance door used in cooler and freezer applications. It combines speed with full-height visibility and the ability to take a hit. The door's time-tested durability and dependability make it the best selling high-speed door in the cold storage market.

Your choice of three different defrost systems assures your Fast-Fold Freezer door will remain virtually frost free, whatever the nature of your cold storage application.

Fast - Opens at up to 84 inches per second for improved traffic flow.

Safe - With its full height, clear PVC panels, the Fast-Fold Freezer provides great visibility and added safety for interior applications where fork trucks and other equipment are crossing the door's traffic lane, or both.

Energy Efficient - Insulated head and side frames with sealed panel assembly, combine with fast opening and closing speeds to reduce energy loss.

Frost Free - Three different defrost system options help reduce frost build-up.

Durable, Low Maintenance - Engineered to last millions of cycles with minimal maintenance.

Takes a Hit - Withstands fork truck impact with little or no damage, virtually eliminating door downtime.



FAST-FOLD® FREEZER

HIGH PERFORMANCE FOLDING DOOR

Model Name

- Rytec® Fast-Fold® Freezer Door

Size and Dimensions

- Up to 12'W x 16'H
- 20" headroom above lintel
- 37" side column projection
- 18" side column width
- Head projection between 56" and 64"

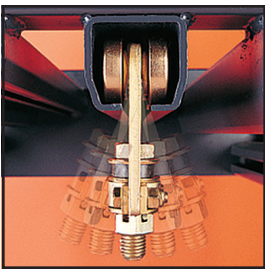
Available Options

- BFGS track and roller system includes a 10-year warranty
- BFGS rollers with Tec-Trak II assembly includes a 10-year warranty
- 1/2 inch thick Puralon™ panels

Warranty

- One-year limited warranty on materials and workmanship.

Roller System

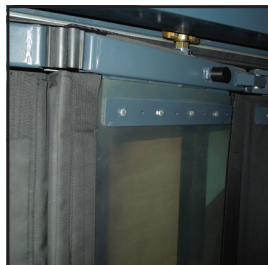


Ryflex floating rollers continually maintain contact with the track

- Door equipment with Tec-Trak™ II roller system with minimum of 16 model GS 1-7/8 inch Ryflex™ floating rollers.
- Roller assembly deflects up to 7° in the vertical plane in order to maintain full roller surface bearing contact with track.
- Rollers are carburized, hardened and fully sealed with ball bearings.

Door Panel

- Four center panels are constructed of 3/8 inch thick, low temperature Puralon™, capable of withstanding temperatures as low as -40°F.
- Panels 1 and 6 are insulated. Four center panels are mounted on four center suspended rotor arms.



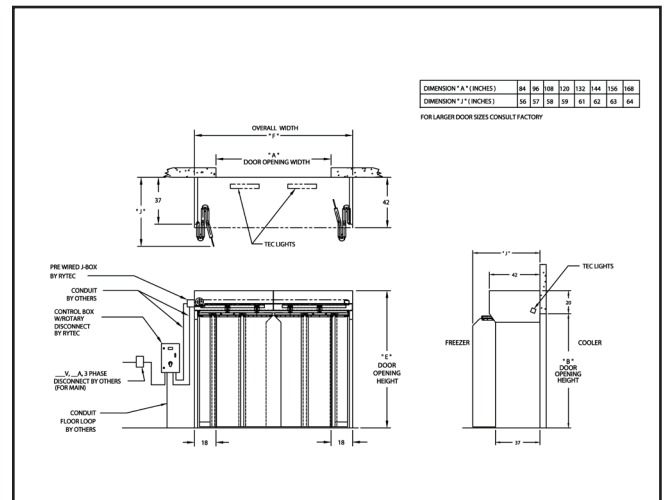
Durable panel and turn arm construction

Electrical Controls



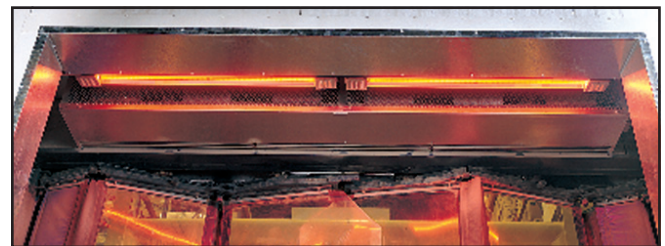
System 4 shown with optional rotary disconnect

- System 4™ controller housed in a NEMA 4X rated enclosure with factory set parameters.
- Intelligent processor monitors and controls power consumption.
- Advanced self-diagnostics for troubleshooting.



Defrost System

- Three optional defrost systems are available to prevent frost build-up on the door panel.
- Options include Tec-Light™ system, Tec-Lights with unheated blower and modulating heated blower system.



Tec-Lights with Unheated Blowers configuration



888-GO-RYTEC RytecDoors.com
 Tel 262-677-9046 Fax 262-677-2058
 One Cedar Parkway Jackson, WI 53037-0403