

FAST-FOLD®

HIGH PERFORMANCE FOLDING DOOR

America's First Break-Away™ Door and Still a Workhorse.

With its natural ability to withstand forklift impact without sustaining damage, the Fast-Fold door introduced the Break-Away concept to the United States in 1985.

It can be used almost anywhere, for interior, exterior, warehousing, manufacturing or commercial applications. Because of the many patented, proven design features like its rugged Tec-Trak™ and floating Ryflex™ roller system, it provides millions and millions of cycles of dependable service.

Fast - Opens at up to 84 inches per second for improved traffic flow.

Safe - With its full height, clear PVC panels, the Fast-Fold provides great visibility and added safety for interior applications where fork trucks and other equipment are crossing the threshold in both directions, crossing the door's traffic lane, or both.

Energy Efficient - Overlapping Puralon™ panels offer a great seal to dramatically reduce energy loss.

Durable, Low Maintenance - Engineered to last millions of cycles with minimal maintenance.

Takes a Hit - Withstands a fork truck impact with little or no damage, virtually eliminating down time.

Easy Installation - Modular construction and easy to hang panel mounting hardware allows for quick and easy installation.



FAST-FOLD®

HIGH PERFORMANCE FOLDING DOOR

Model Name

- Rytec® Fast-Fold® Door

Size and Dimensions

- Up to 18'10"W x 19'6"H
- 12" headroom above lintel
- 46-68" side projection
- 18" side column width
- Head projection between 31" and 40"

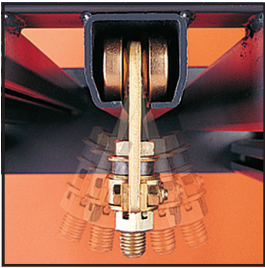
Available Options

- 1/2 inch thick Puralon™ panels

Warranty

- One-year limited warranty on materials and workmanship.

Roller System

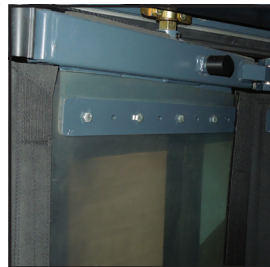


Ryflex floating rollers continually maintain contact with the track

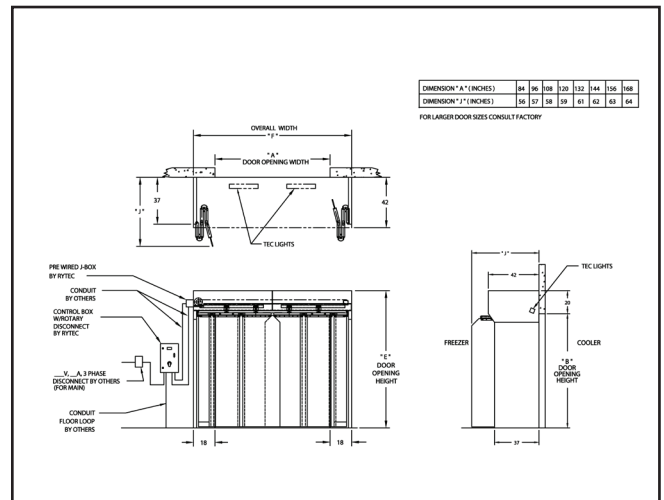
- Door equipment with Tec-Trak™ II roller system with minimum of 16 model GS 1-7/8 inch Ryflex™ floating rollers.
- Roller assembly deflects up to 7° in the vertical plane in order to maintain full roller surface bearing contact with track.
- Rollers are carburized, hardened and fully sealed with ball bearings.

Door Panel

- Six door panels are constructed of 3/8 inch thick, Puralon™.
- Panels are mounted on six center suspended rotor arms.
- Doors panels overlap up to 12 inches. Optional seam connectors are available.



Durable panel and turn arm construction (shown with optional seam connectors)



Electrical Controls

- System 4™ controller housed in a NEMA 4X rated enclosure with factory set parameters.
- Intelligent processor monitors and controls power consumption.
- Advanced self-diagnostics for troubleshooting.



System 4 shown with optional rotary disconnect



888-GO-RYTEC RytecDoors.com
Tel 262-677-9046 Fax 262-677-2058
One Cedar Parkway Jackson, WI 53037-0403